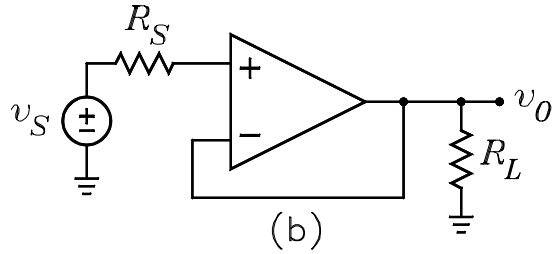
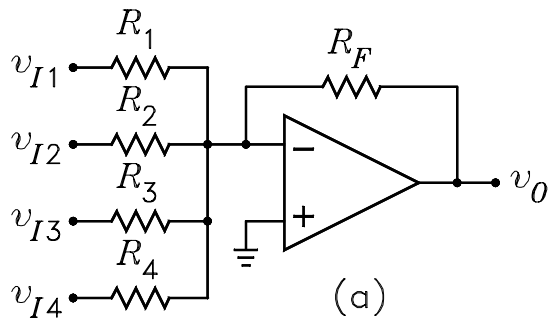


(a)

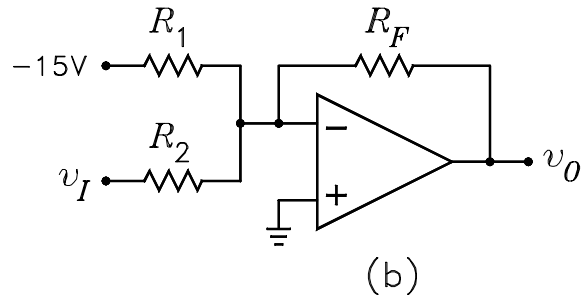


(b)

(a) Voltage follower. (b) Example application.

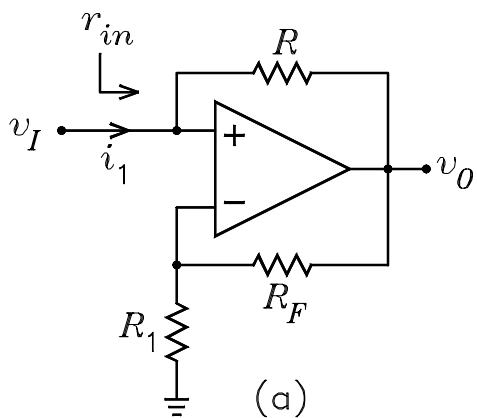


(a)

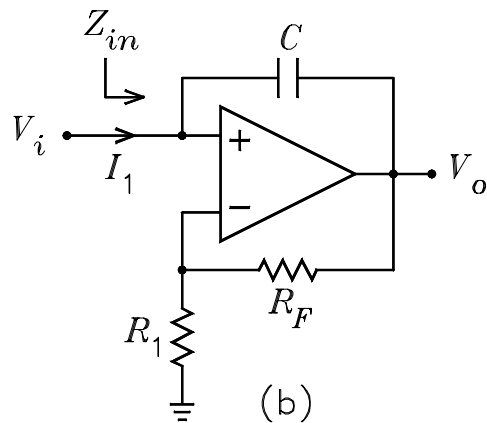


(b)

(a) Four input inverting summer. (b) Example circuit.



(a)



(b)

Negative impedance converters.