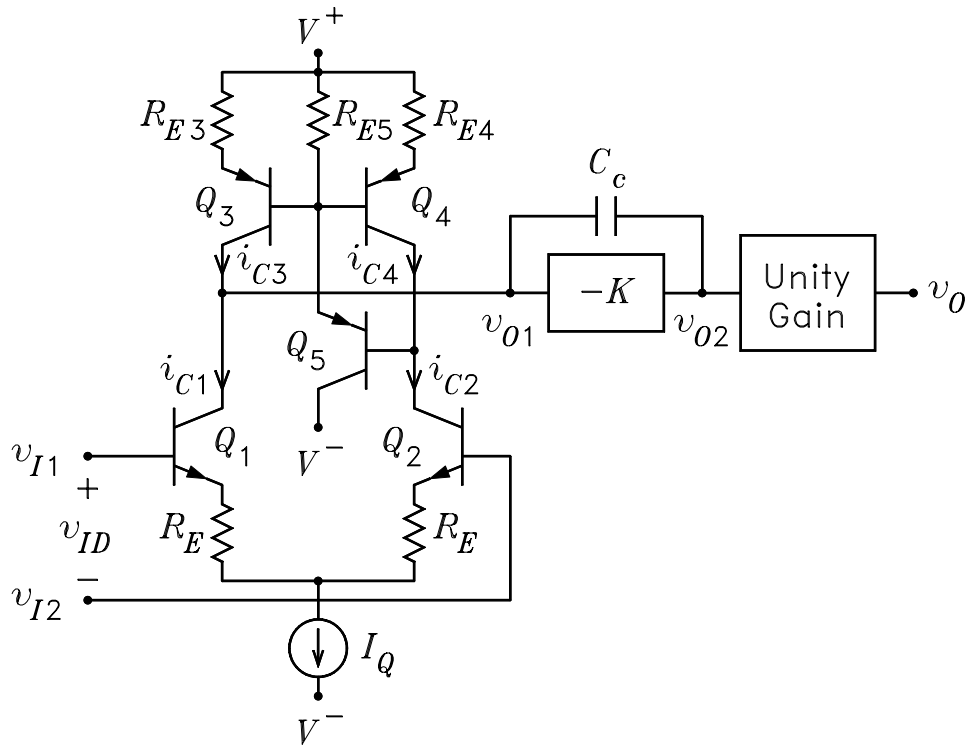
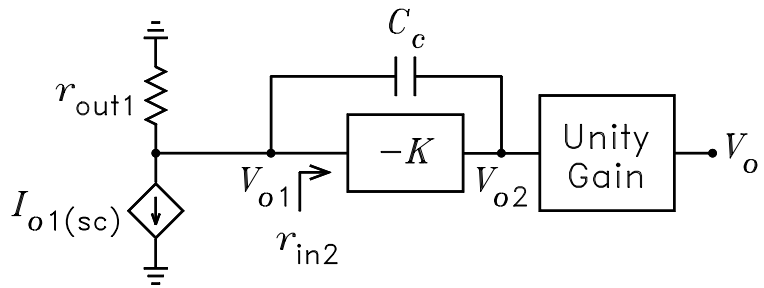


Basic Op Amp Model



Equivalent Circuit of Model



Circuit for calculating $I_{o1(sc)} \cong 2I_{e1}$

