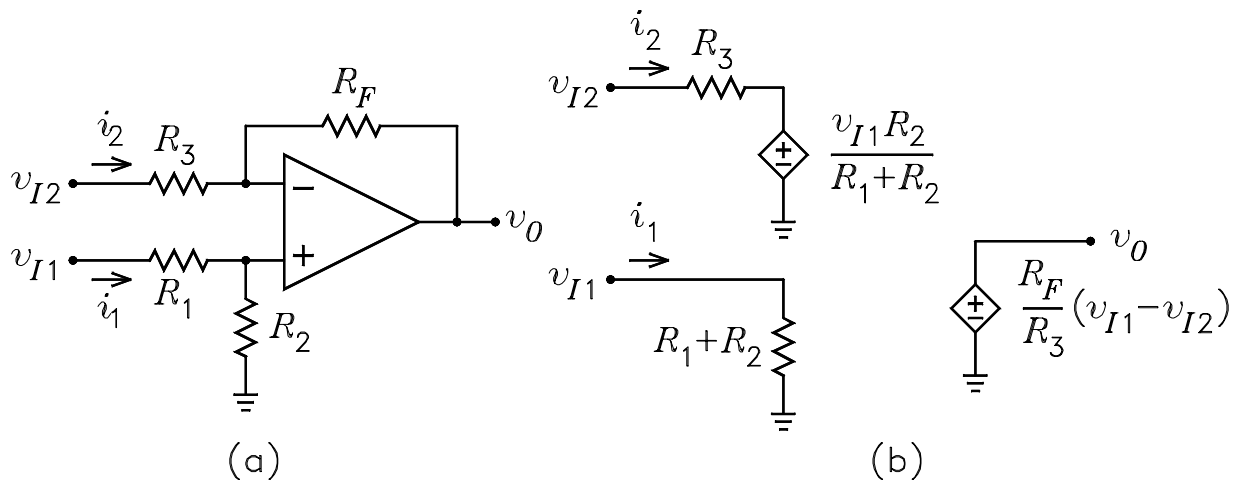
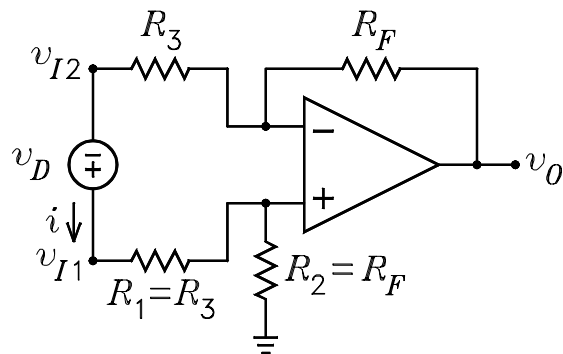


(a) Four input non-inverting summer. (b) Equivalent circuit for calculating the output voltage.



(a) Single op-amp diff amp. (b) Controlled source equivalent circuit for the special case of a true diff amp.



Diff amp with floating input source.