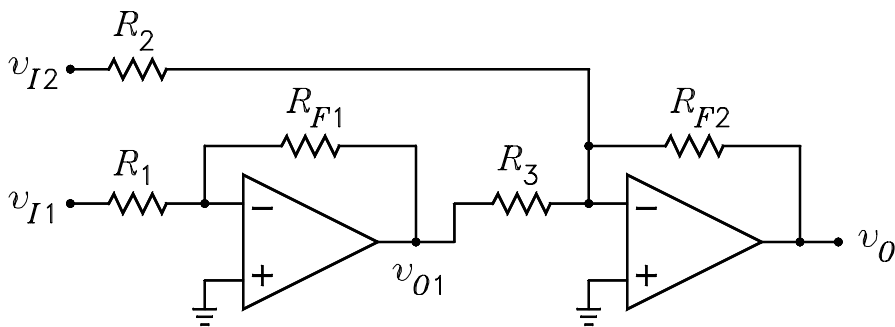
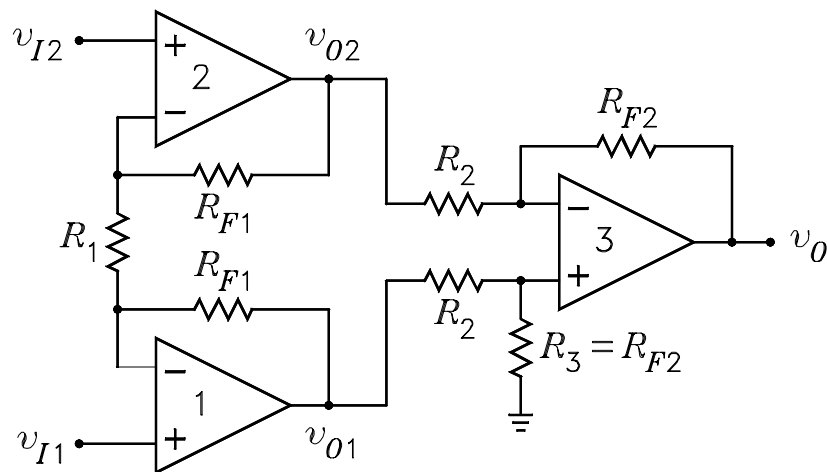


(a) Switch hitter. (b) Equivalent circuit for calculating the output voltage.



Two op amp diff amp.



Instrumentation amplifier.