

Common-Base Amplifier Example - Spring 2002

$$R_P(x,y) := \frac{x \cdot y}{x + y}$$

Function for calculating parallel resistors.

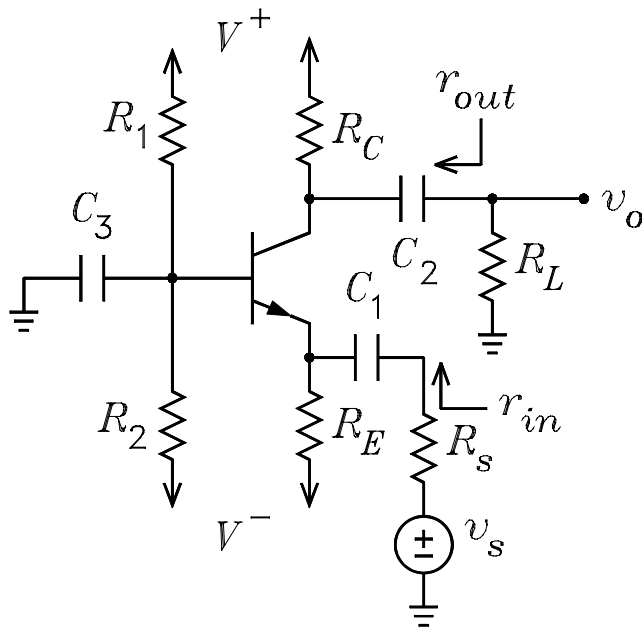
$$R_1 := 100000 \quad R_2 := 120000 \quad R_C := 4300 \quad R_E := 5600 \quad R_S := 100 \quad R_L := 10000$$

$$V_{plus} := 15 \quad V_{minus} := -15 \quad V_{BE} := 0.65 \quad V_T := 0.025 \quad \beta := 99 \quad \alpha := 0.99$$

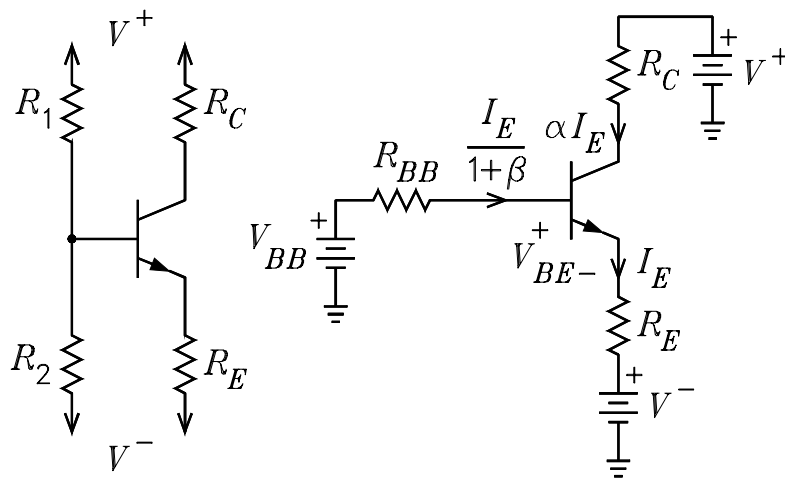
$$r_x := 20$$

$$r_o := 50000$$

$$v_s := 1 \quad \text{With } v_s = 1, \text{ the voltage gain is equal to } v_o.$$



## DC Bias Circuit



$$V_{BB} := \frac{V_{\text{plus}} \cdot R_2 + V_{\text{minus}} \cdot R_1}{R_1 + R_2} \quad V_{BB} = 1.364$$

$$R_{BB} := R_p(R_1, R_2) \quad R_{BB} = 5.455 \cdot 10^4$$

$$I_E := \frac{V_{BB} - V_{BE} - V_{\text{minus}}}{\frac{R_{BB}}{1 + \beta} + R_E} \quad I_E = 2.557 \cdot 10^{-3}$$

$$r_e := \frac{V_T}{I_E} \quad r_e = 9.777$$

### Test for Active Mode

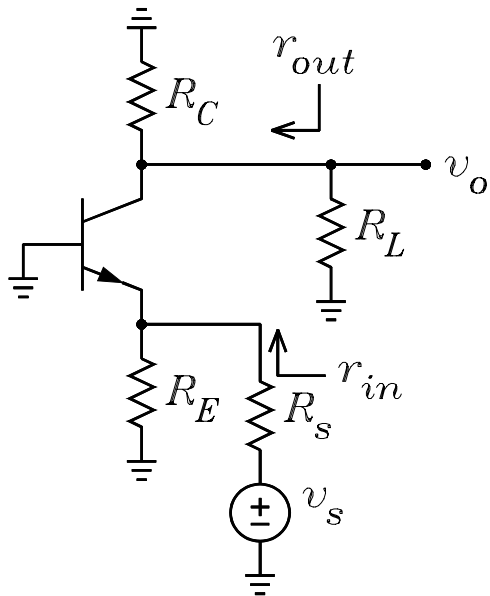
$$V_C := V_{\text{plus}} - \alpha \cdot I_E \cdot R_C \quad V_C = 4.115$$

$$V_B := V_{\text{minus}} + I_E \cdot R_E + V_{BE} \quad V_B = -0.031$$

$$V_{CB} := V_C - V_B \quad V_{CB} = 4.146$$

Thus active mode.

AC Signal Circuit



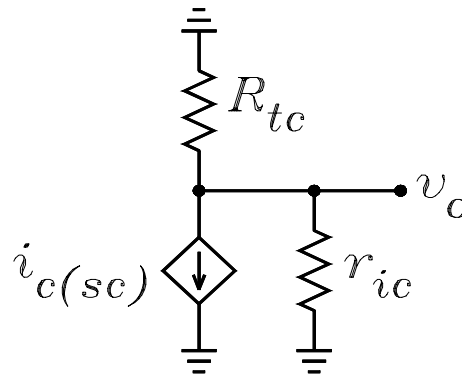
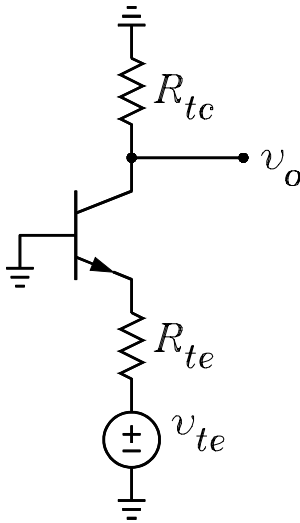
$$v_{te} := v_s \cdot \frac{R_E}{R_S + R_E} \quad v_{te} = 0.982$$

$$R_{te} := R_P(R_E, R_S) \quad R_{te} = 98.246$$

$$R_{tb} := 0$$

$$r'_e := \frac{R_{tb} + r_x}{1 + \beta} + r_e \quad r'_e = 9.977$$

Circuit for  $v_o$



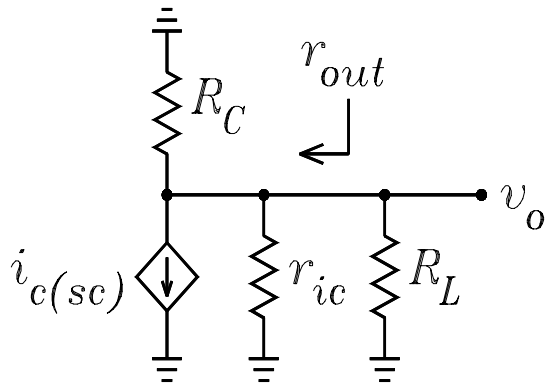
$$R_{tc} := R_P(R_C, R_L) \quad R_{tc} = 3.007 \cdot 10^3$$

$$r_{ic} := \frac{r_0 + R_P(r'_e, R_{te})}{1 - \frac{\alpha \cdot R_{te}}{r'_e + R_{te}}} \quad r_{ic} = 4.938 \cdot 10^5$$

$$i_{csc} := \frac{-v_{te}}{R_{te} + R_P(r'_e, r_0)} \cdot \frac{\alpha \cdot r_0 + r'_e}{r_0 + r'_e} \quad i_{csc} = -8.987 \cdot 10^{-3}$$

$$v_o := -i_{csc} \cdot R_P(R_{tc}, r_{ic}) \quad v_o = 26.862 \quad \text{This is the voltage gain.}$$

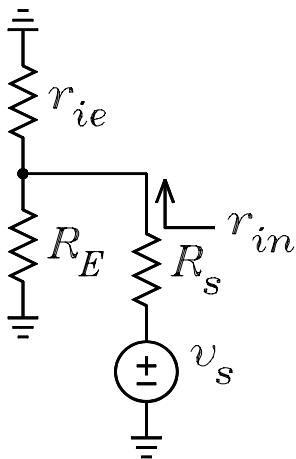
Circuit for  $r_{out}$



$$r_{out} := R_P(R_C, r_{ic})$$

$$r_{out} = 4.263 \cdot 10^3$$

Circuit for  $r_{in}$



$$r_{ie} := r'_e \cdot \frac{r_0 + R_{tc}}{r'_e + r_0 + \frac{R_{tc}}{1 + \beta}}$$

$$r_{ie} = 10.569$$

$$r_{in} := R_P(r_{ie}, R_E) \quad r_{in} = 10.549$$

The following solution is based on the  $r_0$  approximations.

$$i_{csc} := -v_{te} \cdot \frac{\alpha}{r'_e + R_{te}} \quad i_{csc} = -8.987 \cdot 10^{-3}$$

$$v_c := -i_{csc} \cdot R_P(R_{te}, r_{ic}) \quad v_c = 26.861 \quad \text{This is the voltage gain.}$$

$$\text{Percent} := \frac{v_c - 26.862}{26.862} \cdot 100 \quad \text{Percent} = -3.028 \cdot 10^{-3} \quad \text{This is the percent change from the exact value.}$$

$$r_{out} := R_P(r_{ic}, R_C) \quad r_{out} = 4.263 \cdot 10^3$$

$$r_{in} := R_P(r_{ie}, R_E) \quad r_{in} = 10.549$$