

# Summary of Models

Figure 1 summarizes the four equivalent circuits derived above.

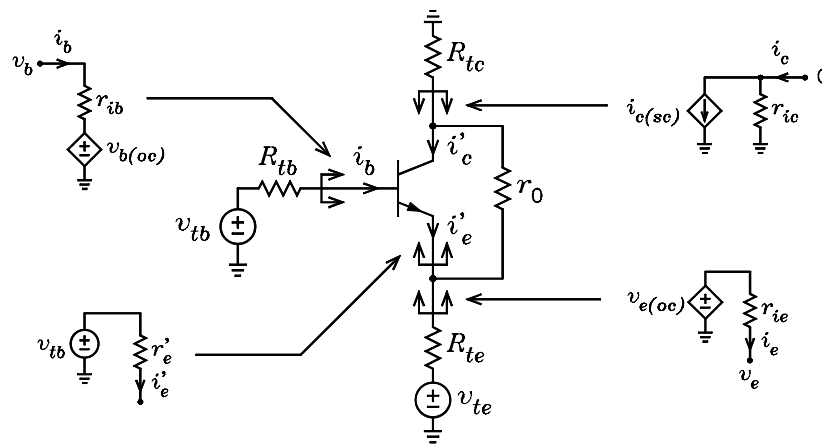


Figure 1: Summary of the small-signal equivalent circuits.