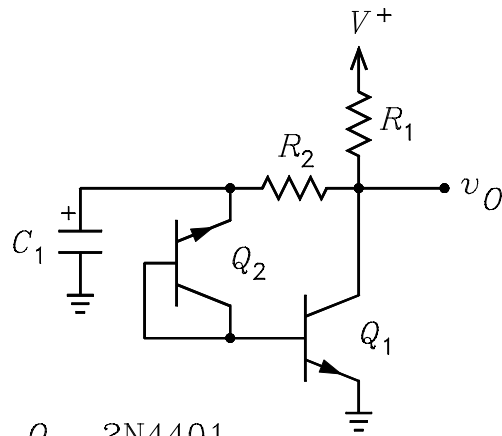


The circuit shows a two-transistor noise source. The amount of noise may vary with the transistor used for Q_2 . You must use ac coupling on the oscilloscope to view the output noise. You may want to see whether the 2N3904 generates more.



Q_1, Q_2 2N4401
 R_1 5.6 kohm
 R_2 56 kohm
 C_1 10 ufd

Figure 2: An alternate noise source.