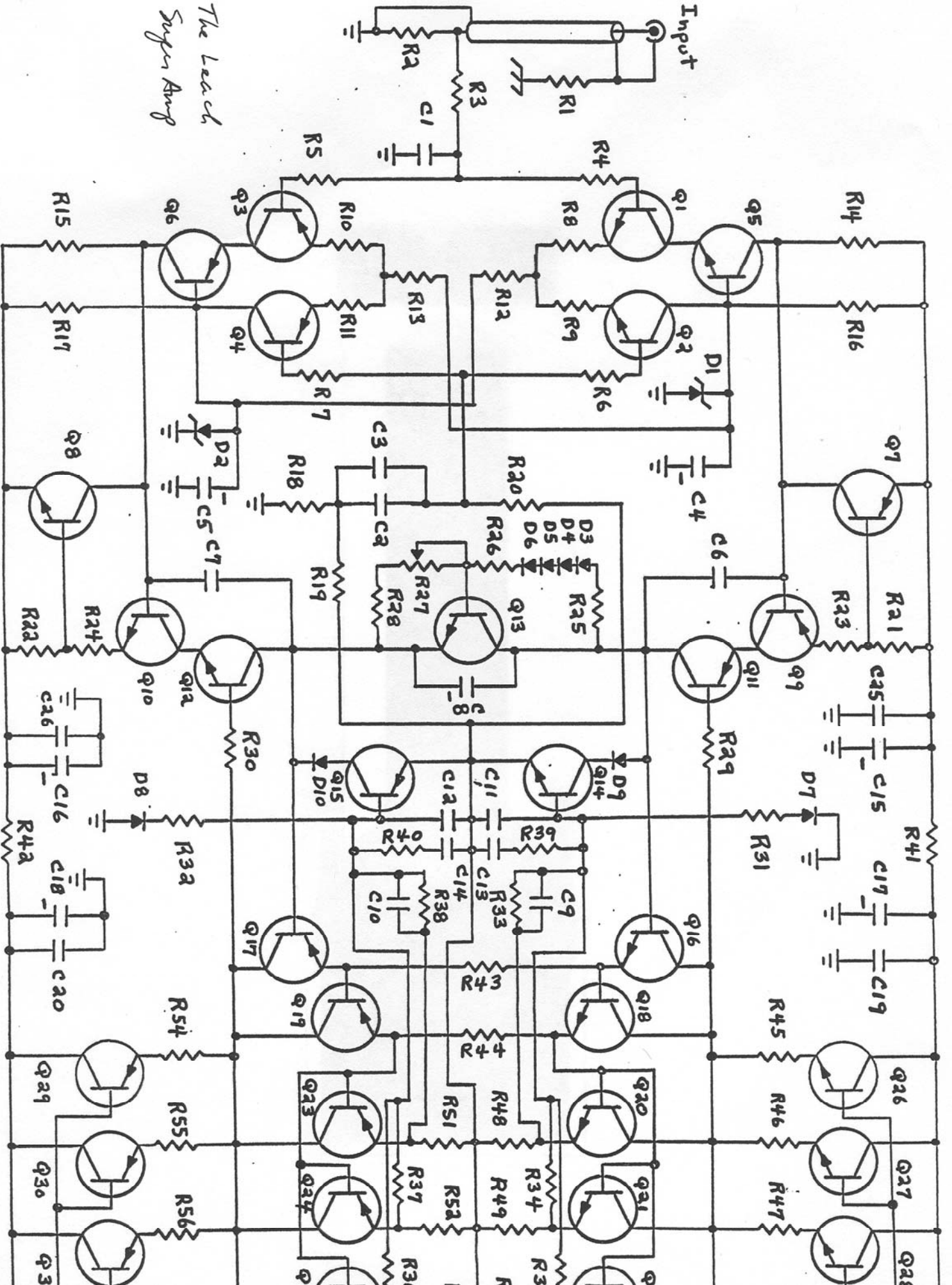
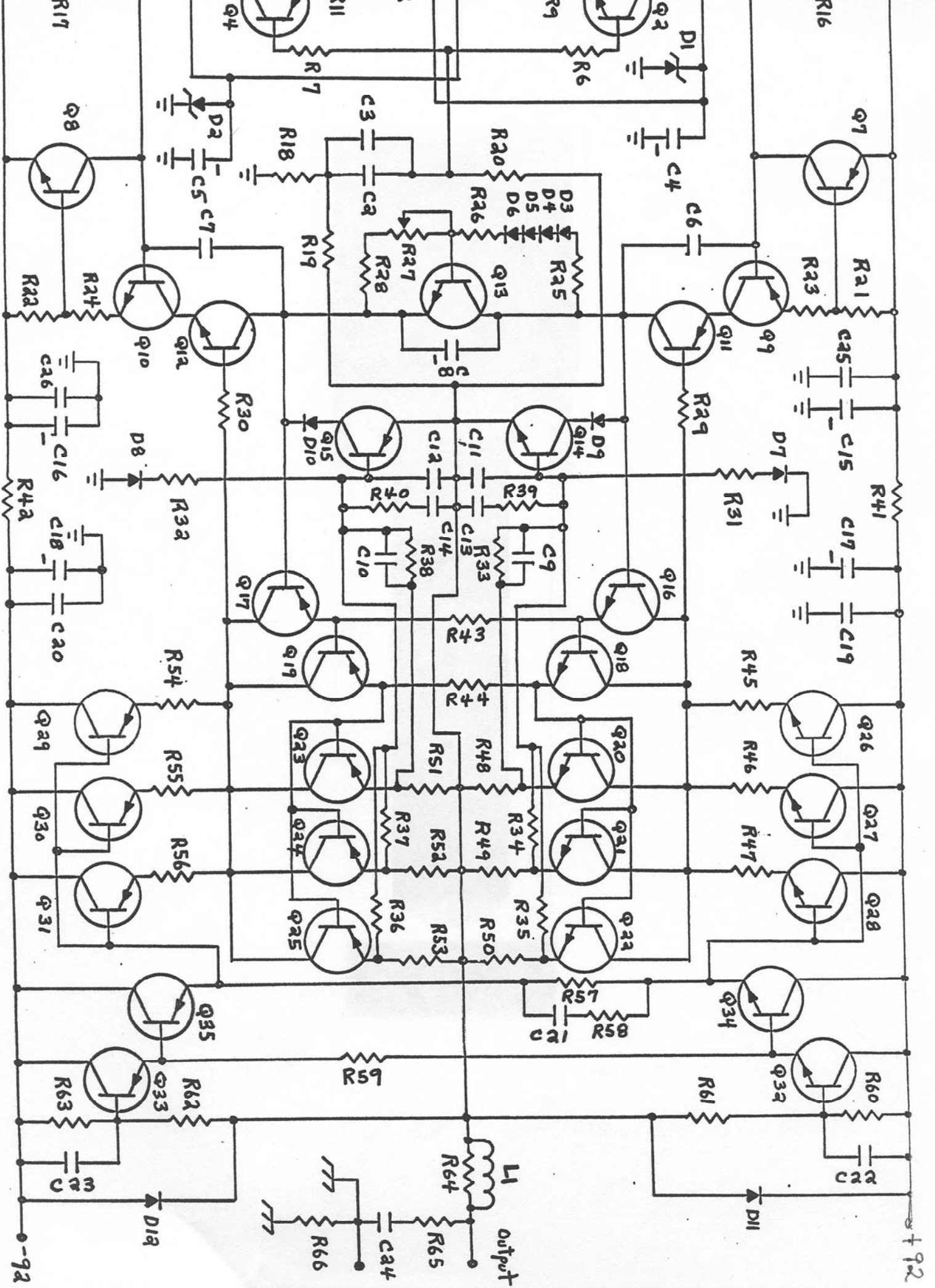


The Leach  
Super Amp





All resistors  $\frac{1}{4}$  watt unless otherwise specified. (1% values may differ slightly.)

R1 -  $4.7 \Omega$

R2 -  $30 K\Omega$

R3 -  $3 K\Omega$

R4 through R11 -  $300 \Omega$

R12, 13 -  $10 K\Omega$

R14, 15 -  $1.2 K\Omega$

X R16, 17 -  $2.7 K\Omega$ ,  $\frac{1}{2}$  w.

R18 -  $150 \Omega$

R19 -  $3.3 K\Omega$ , 2 w.

R20 -  $33 K\Omega$

R21, 22 -  $20 \Omega$

R23, 24 -  $360 \Omega$

R25, 26 -  $1 K\Omega$

R27 -  $470 \Omega$

R28 -  $2 K\Omega$  nominal

R29, 30 -  $300 \Omega$

R31, 32 -  $2.7 K\Omega$ , 2 w.

R33 through R38 -  $300 \Omega$

R39, 40 -  $160 \Omega$

R41, 42 -  $100 \Omega$

R43 -  $470 \Omega$

R44 -  $120 \Omega$

R45 through R56 -  $0.33 \Omega$ , 5 w.

R57 -  $15 K\Omega$ , 2 w.

R58 -  $39 \Omega$

R59 -  $22 K\Omega$

X R60 through R63 -  $5.6 K\Omega$ , 2 w.

R64 -  $3.3 \Omega$ , 2 w.

R65 - four  $39 \Omega$ , 2 w.

in parallel

R66 -  $1 \Omega$ ,  $\frac{1}{2}$  w.

C1 -  $220$  pf.

C2 -  $270 \mu\text{fd}$ , NP, 6V

C3 -  $0.1 \mu\text{fd}$

C4, 5 -  $10 \mu\text{fd}$ , 63V

C6, 7 -  $10$  pf.

C8 -  $10 \mu\text{fd}$ , 16V.

C9, 10 -  $0.01 \mu\text{fd}$

C11, 12 -  $0.1 \mu\text{fd}$

C13, 14 - two  $47 \mu\text{fd}$ , 16V  
in series for NP

C15, 16 -  $220 \mu\text{fd}$ , 100V.

C17, 18 -  $22 \mu\text{fd}$ , 100V.

C19, 20 -  $0.1 \mu\text{fd}$

C21 -  $0.01 \mu\text{fd}$

C22, 23 -  $220$  pf.

C24, 25, 26 -  $0.1 \mu\text{fd}$ .

L1 -  $1 \mu\text{H}$

D1, 2 - 1N5259, 39 V.

D3 through D6 - 1N4004

D7 through D12 - 1N4935

Q1, 2 - MPS8099 or 2N5210

Q3, 4 - MPS8599 or 2N5087

Q5 - MPS8099

Q6 - MPS8599

Q7, 15 - MPS8599, 2N5087, or 2N4403

Q8, 13, 14 - MPS8099, 2N5210, or 2N4401

Q9, 11, 17, 33 - 2N5415

Q10, 12, 16, 32 - 2N3440

Q18, 34 - MJE15030

Q19, 35 - MJE15031

Q20, 21, 22, 26, 27, 28 - MJ15003

Q23, 24, 25, 29, 30, 31 - MJ15004